

Safety: Before using Stair Hook

1. Ensure your bicycle weighs no more than 20kg.
2. Ensure your the portion of your bicycle's saddle rails ahead of the seat post are exposed for engagement with the hook (Figure 2). If required, slide saddle forward to further expose the saddle rails.
3. Ensure the saddle is secured to the seat post and that the seat post is securely fastened to the bicycle frame.
4. Ensure the balusters (poles) of your staircase are structurally sound and firmly attached to both the banister and stair.
5. Ensure the baluster is cylindrical and between 20mm and 30mm in diameter.
6. Whilst it is possible to fix Stair Hook to any floor with a stair, only the ground floor is recommended due to the risk of dropping the bicycle and causing damage to property or injury.

Installation

1. Always follow the Safety instructions printed above and below.
2. Select one or a combination of provided strips of rubber to wrap around baluster (pole) such that Stair Hook and Clasp fit around it tightly. Trim rubber strip using scissors such that it wraps all the way around the baluster but does not overlap itself. Ensure the break in the rubber is at the centre of the Stair Hook side (Figure 1).
3. Ensure the provided nuts are slotted into the Clasp's recessed hex shape.
4. Bring Stair Hook and Clasp together around the rubber which surrounds the baluster (Figure 1). Orient Clasp such that its flange / strengthening rib is at the bottom.
5. Slide provided bolts through the Stair Hook and thread into nuts which are slotted into Clasp. Use a Phillips (or Pozidriv) screwdriver to tighten the bolts. Bolts should be torqued to 7nm (hand-tight, do not over tighten). Ensure Stair Hook and Clasp remain parallel to one another and do not make contact with one another (Figure 1).

Safety: Whilst using Stair Hook

1. Suspend your bicycle by resting one or both of its saddle rails onto Stair Hook (Figure 2). Only utilise the portion of the saddle rails which are ahead of the seat post.
2. Ensure the saddle rails stay engaged with Stair Hook if the bicycle naturally tilts forward or backward whilst suspended.
3. As well as suspending your bicycle by its saddle rails on Stair Hook, always lock it with a D-lock to a baluster (pole) other than the one which Stair Hook is mounted on.
4. Ensure handlebars and peddles are stowed such that they do not cause a tripping hazard.
5. Lift the bicycle up and over Stair Hook to remove - do not pull or twist the bicycle in such a way that could cause damage to the product.
6. If any damage including visible deformation is observed on the product, do not use.
7. Do not expose product to temperatures significantly above room temperature. Max 50C.

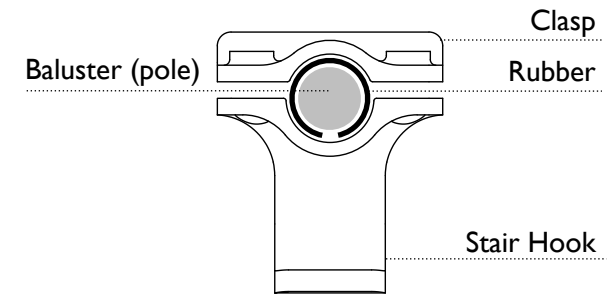


Figure 1 - Installation

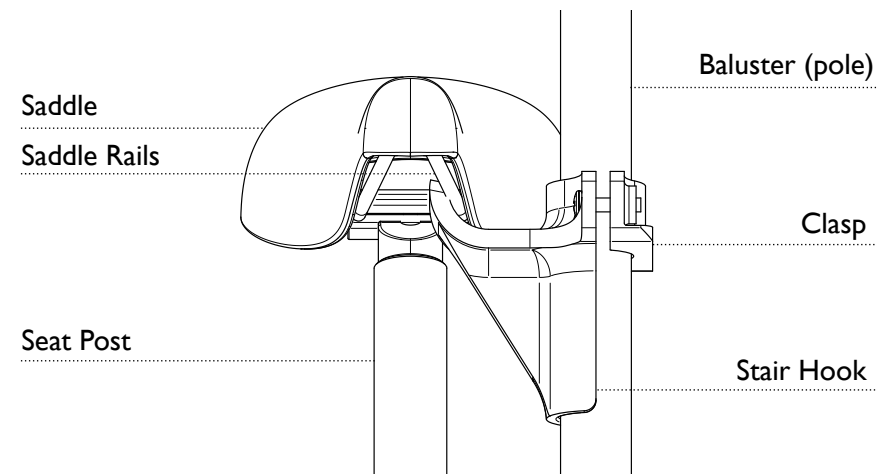


Figure 2 - Usage

Safety: Before using Stair Hook

1. Ensure your bicycle weighs no more than 20kg.
2. Ensure your the portion of your bicycle's saddle rails ahead of the seat post are exposed for engagement with the hook (Figure 2). If required, slide saddle forward to further expose the saddle rails.
3. Ensure the saddle is secured to the seat post and that the seat post is securely fastened to the bicycle frame.
4. Ensure the balusters (poles) of your staircase are structurally sound and firmly attached to both the banister and stair.
5. Ensure the baluster is cylindrical and between 20mm and 30mm in diameter.
6. Whilst it is possible to fix Stair Hook to any floor with a stair, only the ground floor is recommended due to the risk of dropping the bicycle and causing damage to property or injury.

Installation

1. Always follow the Safety instructions printed above and below.
2. Select one or a combination of provided strips of rubber to wrap around baluster (pole) such that Stair Hook and Clasp fit around it tightly. Trim rubber strip using scissors such that it wraps all the way around the baluster but does not overlap itself. Ensure the break in the rubber is at the centre of the Stair Hook side (Figure 1).
3. Ensure the provided nuts are slotted into the Clasp's recessed hex shape.
4. Bring Stair Hook and Clasp together around the rubber which surrounds the baluster (Figure 1). Orient Clasp such that its flange / strengthening rib is at the bottom.
5. Slide provided bolts through the Stair Hook and thread into nuts which are slotted into Clasp. Use a Phillips (or Pozidriv) screwdriver to tighten the bolts. Bolts should be torqued to 7nm (hand-tight, do not over tighten). Ensure Stair Hook and Clasp remain parallel to one another and do not make contact with one another (Figure 1).

Safety: Whilst using Stair Hook

1. Suspend your bicycle by resting one or both of its saddle rails onto Stair Hook (Figure 2). Only utilise the portion of the saddle rails which are ahead of the seat post.
2. Ensure the saddle rails stay engaged with Stair Hook if the bicycle naturally tilts forward or backward whilst suspended.
3. As well as suspending your bicycle by its saddle rails on Stair Hook, always lock it with a D-lock to a baluster (pole) other than the one which Stair Hook is mounted on.
4. Ensure handlebars and peddles are stowed such that they do not cause a tripping hazard.
5. Lift the bicycle up and over Stair Hook to remove - do not pull or twist the bicycle in such a way that could cause damage to the product.
6. If any damage including visible deformation is observed on the product, do not use.
7. Do not expose product to temperatures significantly above room temperature. Max 50C.

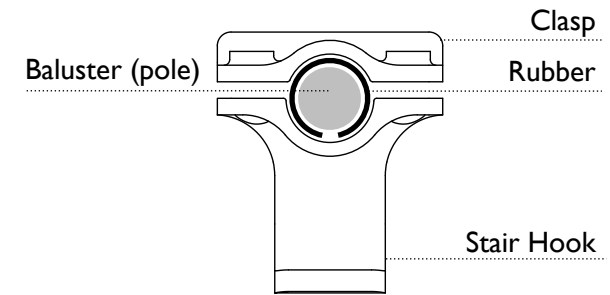


Figure 1 - Installation

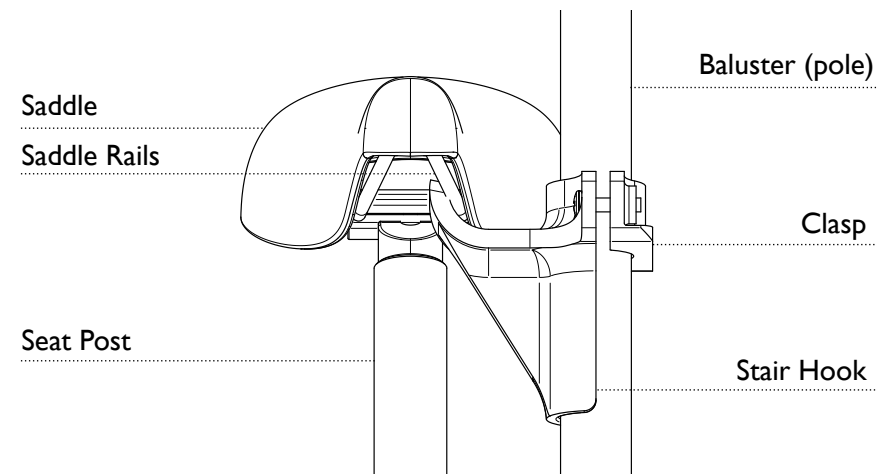


Figure 2 - Usage